

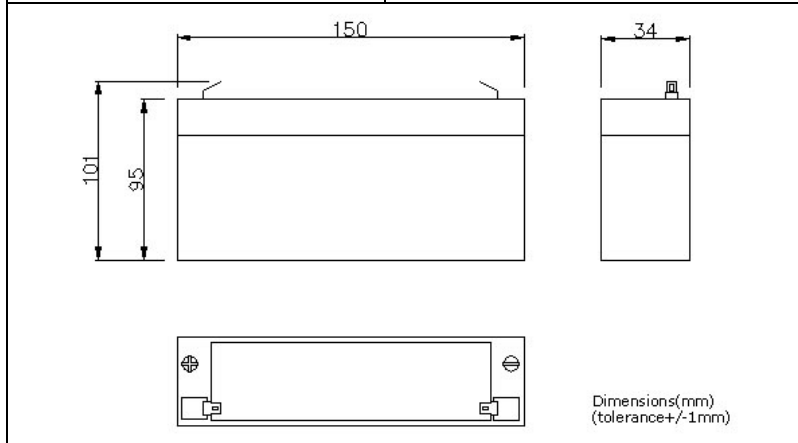
# EnergiVm

CE, RoHS, MH 28269

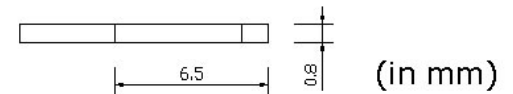
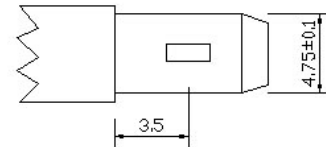
MV670(6V7.0Ah)

## PHYSICAL SPECIFICATION

Nominal Voltage Nominal Capacity (20HR)		6V 7Ah
Dimension	Length	150±1mm (5.91 inches)
	Width	34±1mm (1.34 inches)
	Container Height	95±1mm (3.74 inches)
	Total Height	101±1mm (3.98 inches)
Weight		Approx. 1.12Kg (2.47lbs)
Standard Terminal		Fasten Tab No.187E



F1(Fasten Tab No.187E)  
Standard Terminal



## ELECTRICAL SPECIFICATION

Characteristics											
Capacity	<table border="1"> <tr> <td>20 hour rate (0.35A)</td> <td>7Ah</td> </tr> <tr> <td>10 hour rate (0.63A)</td> <td>6.3Ah</td> </tr> <tr> <td>5 hour rate (1.19A)</td> <td>6Ah</td> </tr> <tr> <td>3 hour rate (1.75A)</td> <td>5.3Ah</td> </tr> <tr> <td>1hour rate (4.2A)</td> <td>4.2Ah</td> </tr> </table>	20 hour rate (0.35A)	7Ah	10 hour rate (0.63A)	6.3Ah	5 hour rate (1.19A)	6Ah	3 hour rate (1.75A)	5.3Ah	1hour rate (4.2A)	4.2Ah
20 hour rate (0.35A)	7Ah										
10 hour rate (0.63A)	6.3Ah										
5 hour rate (1.19A)	6Ah										
3 hour rate (1.75A)	5.3Ah										
1hour rate (4.2A)	4.2Ah										
Capacity affected by temperature	<table border="1"> <tr> <td>40°C (104 °F)</td> <td>102%</td> </tr> <tr> <td>25°C (77 °F)</td> <td>100%</td> </tr> <tr> <td>0°C (32 °F)</td> <td>85%</td> </tr> </table>	40°C (104 °F)	102%	25°C (77 °F)	100%	0°C (32 °F)	85%				
40°C (104 °F)	102%										
25°C (77 °F)	100%										
0°C (32 °F)	85%										
Internal Resistance	Full charged battery (25°C, 77 °F) 15mΩ										
Constant Voltage Charge	Cycle	Initial Charging Current less than 2.1A Voltage 7.20~7.50V at 25°C (77 °F) Temperature Coefficient -15mV/°C									
	Standby	No limit on Initial Charging Current Voltage 6.75~6.90V at 25°C (77 °F) Temperature Coefficient -10mV/°C									

## Discharge curves @ 25°C (77 ° F)

